

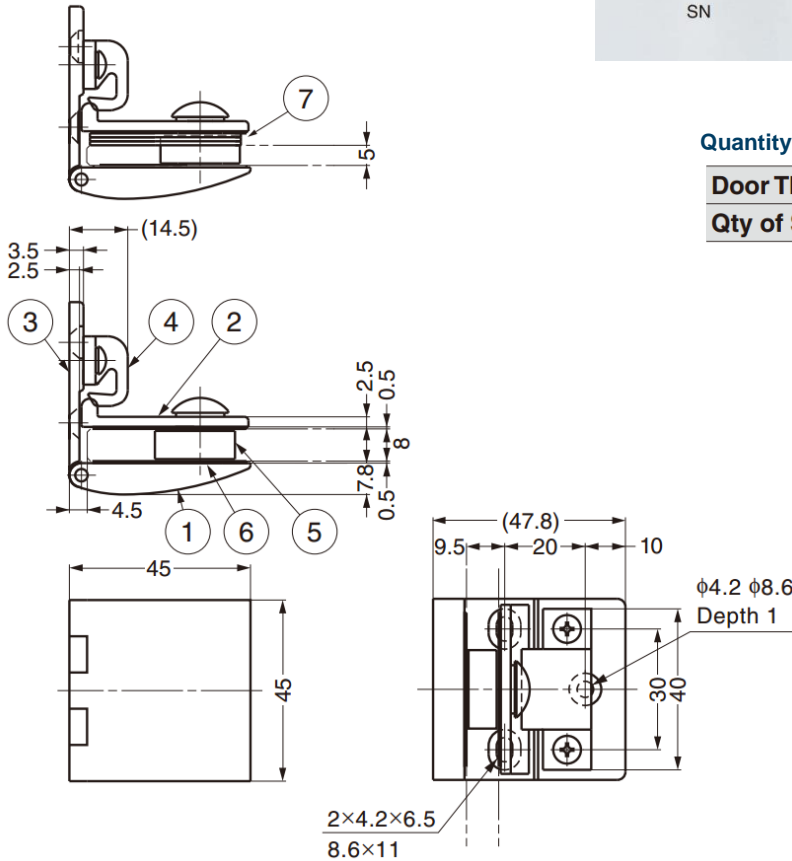
GGH-450 Inset Glass Door Hinge

Features

- Suitable for showcases
- Available in 3 finishes
- Mounting position adjustable:
 - Vertically -2 mm
 - Horizontally -2.5 mm
- Spacer included to accommodate different glass thickness

Recommended Screws

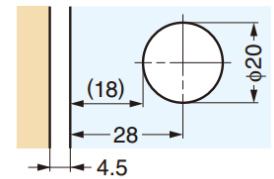
- Size 4 countersunk head screw



Quantity of Spacers

Door Thickness (mm)	5	6	8
Qty of Spacers	3	2	No Spacer

Cut Out Dimensions



No.	Part Name	Material	Finish/Colour		
			SN	CR	GC
①	Front Plate	Brass	Satin Nickel	Chrome	Gold
②	Fixing Plate	Brass	Satin Nickel	Chrome	Gold
③	Hinge Plate	Brass	Satin Nickel	Chrome	Gold
④	Catch	Polyamide (PA)	Black	Black	Black
⑤	Glass Adjustment Block	Polyamide (PA)	Black	Black	Black
⑥	Pad	Chloroprene Rubber (CR)	Black	Black	Black
⑦	Spacer	Polypropylene (PP)	Black	Black	Black

Part No.	Finish	Door Width	Door Height	Glass Thickness	Door Weight
GGH-450-SN	Satin Nickel	Max. 600	Max. 1200	5, 6, 8	Max. 15 kg / 2 pcs
GGH-450-CR	Chrome				
GGH-450-GC	Gold				